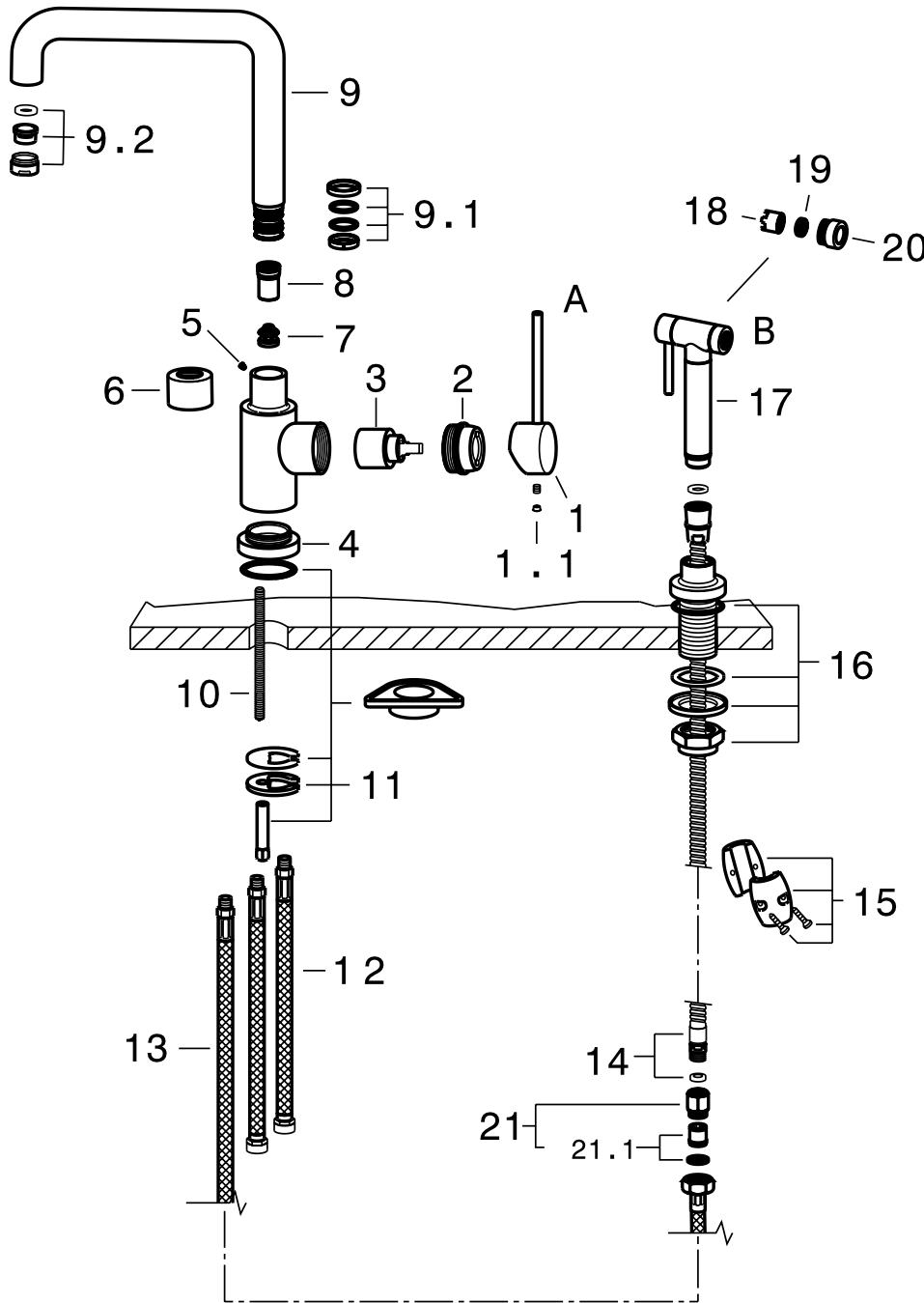




### BLANCOPURUS I™ With Side Spray

MODEL 157-096



NUM.	DOC. PART #
1	17970
1.1	16125
2	16034
3	14720
4	17950
5	10235
6	12725
7	15304
8	15303
9	15315
9.1	17972
9.2	89
10	16992
11	17973
12	15005
13	15006
14	15101
15	10618
16	12050
17	15305
18	15306
19	18307
20	15307
21	15752
21.1	157017